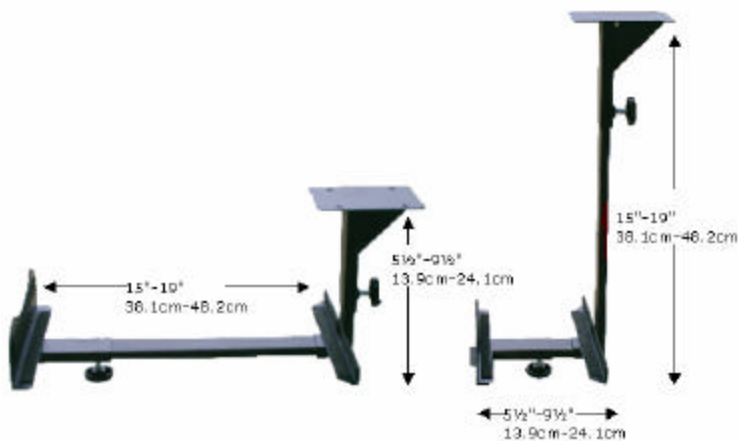


Vertical or horizontal CPU holder [ECHC730]



With the convertible CPU holder you decide if you take it vertically or horizontally under any workstation. You can even change your mind later if you change your computer. It is the ideal solution for big IT departments who have different CPU models. It protects the CPU from dirt, dusts, bumps and accidental spills that can damage CPUs when they're left to sit on a floor or on a desk. Its also allows to keep the central processing unit at a comfortable height when you have to use disc readers.



Features:

- Accept horizontal or vertical CPU.
- Conversion into three easy steps to pass from a vertical unit to a horizontal and vice versa.
- Accept different sizes.
- Easy to assemble.
- Quick installation under the working surface with only 4 screws.
- Support up to 45 pounds.

CODE :
ECHC730

